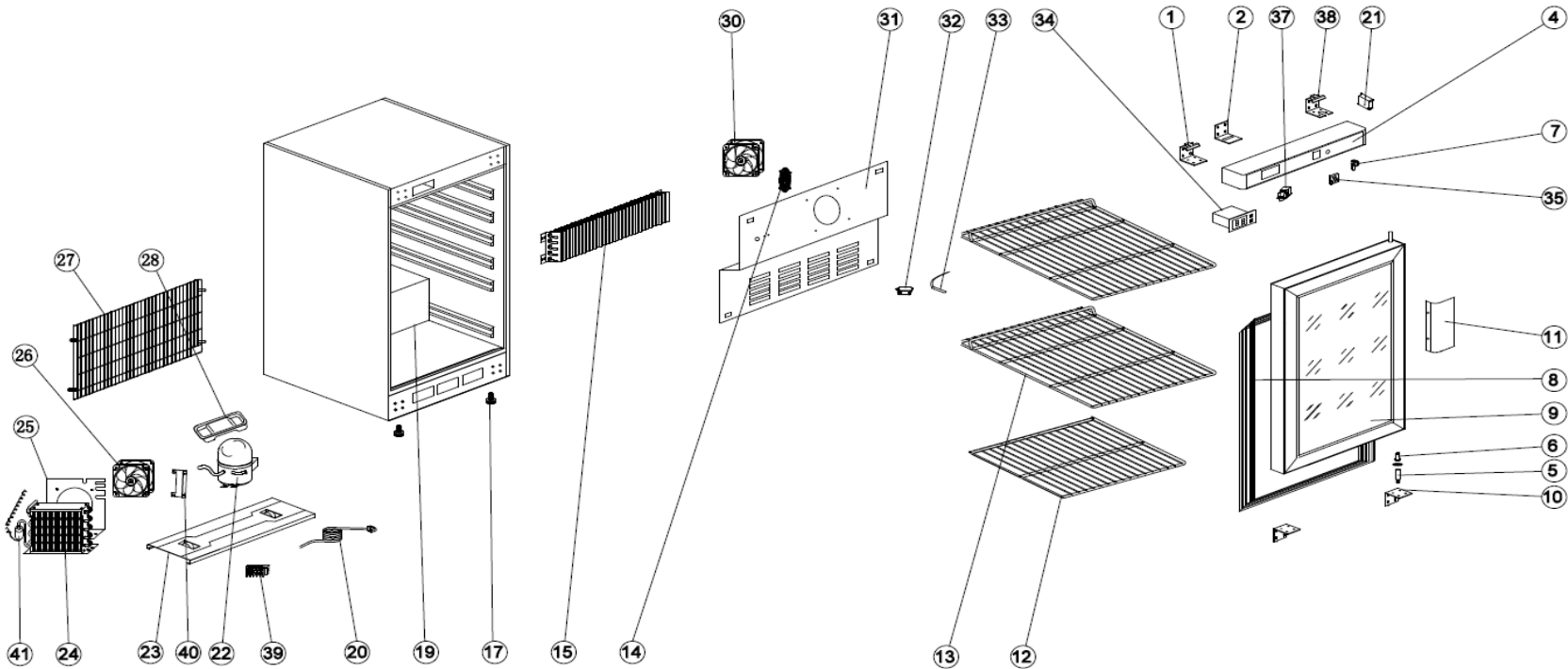


EXPLODED VIEW OF KCHUCGD23R





Model: KCHUCGD23R

PNC: 738325

REV: 12/12/2025

Spare Parts List

NO	DESCRIPTION	Serial #	QTY	COMPONENT PNC	Model Number	Model PNC
1	UP HINGE	ALL	1PC	096275	KCHUCGD23R	738325
2	HOOK OF LOCK	ALL	1PC	0USDAU	KCHUCGD23R	738325
4	FRONT PANEL	ALL	1PC	0USDUS	KCHUCGD23R	738325
5	HINGE AXIS	ALL	1PC	096257	KCHUCGD23R	738325
6	BUSHING	ALL	1PC	096268	KCHUCGD23R	738325
7	LOCK (with key)	ALL	1PC	096258	KCHUCGD23R	738325
8	GASKET	ALL	1PC	096266	KCHUCGD23R	738325
9	DOOR	ALL	1PC	0USDWW	KCHUCGD23R	738325
9a	LED LAMP	ALL	1PC	0USDSR	KCHUCGD23R	738325
10	DOWN HINGE	ALL	2PCS	096276	KCHUCGD23R	738325
11	HANDLE	ALL	1PC	0USDZ5	KCHUCGD23R	738325
11a	HANDLE PAD	ALL	2PCS	0USDUX	KCHUCGD23R	738325
12	BOTTOM SHELF	ALL	1PC	096272	KCHUCGD23R	738325
13	SHELF	ALL	2PCS	096271	KCHUCGD23R	738325
14	BASKET GUARD GRILLS	ALL	1PC	0USDYD	KCHUCGD23R	738325
15	EVAPORATOR	ALL	1PC	096283	KCHUCGD23R	738325
17	FEET	ALL	2PCS	096270	KCHUCGD23R	738325
19	BODY	ALL	1PC	N/A	KCHUCGD23R	738325
20	PLUG	ALL	1PC	0USH67	KCHUCGD23R	738325
21	TRANSFORMER FOR LED LAMP	ALL	1PC	0USDST	KCHUCGD23R	738325
22	COMPRESSOR	ALL	1PC	0USDMS	KCHUCGD23R	738325
22a	COMPRESSOR ELECTRICAL COMPONENT SET	ALL	1PC	0USE2H	KCHUCGD23R	738325
23	UNITE BOARD	ALL	1PC	096285	KCHUCGD23R	738325
23a	WHEEL	ALL	2PCS	0USDUW	KCHUCGD23R	738325
23b	WHEEL SPINDLE	ALL	2PCS	0USD SX	KCHUCGD23R	738325
24	CONDENSER	ALL	1PC	096277	KCHUCGD23R	738325
25	CONDENSER FAN SUPPORT	ALL	1PC	0USDUR	KCHUCGD23R	738325
26	CONDENSER FAN	ALL	1PC	0USF14	KCHUCGD23R	738325
27	UNITE ROOM GRILLS	ALL	1PC	0USDWG	KCHUCGD23R	738325
27a	LOCATION KNOB	ALL	2PCS	0USH46	KCHUCGD23R	738325
28	WATER BOX	ALL	1PC	0USDUY	KCHUCGD23R	738325
30	CIRCUIT FAN	ALL	1PC	0USF14	KCHUCGD23R	738325
31	CIRCUIT FAN SUPPORT	ALL	1PC	0USE0P	KCHUCGD23R	738325
32	SENSOR FIXED BOX	ALL	1PC	0USM11	KCHUCGD23R	738325
33	SENSOR JST	ALL	1PC	096248	KCHUCGD23R	738325
33b	SENSOR JST	ALL	1PC	096247	KCHUCGD23R	738325
34	THERMOSTAT	ALL	1PC	0USDET	KCHUCGD23R	738325
35	LAMP SWITCH	ALL	1PC	0USH45	KCHUCGD23R	738325
37	Door Switch	ALL	1PC	096253	KCHUCGD23R	738325
38	UP HINGE	ALL	1PC	0USDB2	KCHUCGD23R	738325
39	CABLE CONNECTOR	ALL	1PC	0USF09	KCHUCGD23R	738325
40	FAN SUPPORT	ALL	1PC	096286	KCHUCGD23R	738325
41	FILTER DRIER	ALL	1PC	096259	KCHUCGD23R	738325
41a	CAPILLARY	ALL	1PC	0USX01	KCHUCGD23R	738325

Lista de repuestos

NO	DESCRIPCIÓN	de serie #	QTY	COMPONENTE PNC	Número de modelo	Modelo PNC
1	BISAGRA SUPERIOR	TODO	1PC	096275	KCHUCGD23R	738325
2	GANCHO DE CIERRE	TODO	1PC	0USDAU	KCHUCGD23R	738325
4	PANEL DELANTERO	TODO	1PC	0USDUS	KCHUCGD23R	738325
5	EJE DE BISAGRA	TODO	1PC	096257	KCHUCGD23R	738325
6	CASQUILLO	TODO	1PC	096268	KCHUCGD23R	738325
7	CERRADURA (con llave)	TODO	1PC	096258	KCHUCGD23R	738325
8	JUNTA	TODO	1PC	096266	KCHUCGD23R	738325
9	PUERTA	TODO	1PC	0USDWW	KCHUCGD23R	738325
9a	LUZ LED	TODO	1PC	0USDSR	KCHUCGD23R	738325
10	BISAGRA INFERIOR	TODO	2PCS	096276	KCHUCGD23R	738325
11	ASA	TODO	1PC	0USDZ5	KCHUCGD23R	738325
11a	ALMOHADILLA DE MANGO	TODO	2PCS	0USDUX	KCHUCGD23R	738325
12	ESTANTE INFERIOR	TODO	1PC	096272	KCHUCGD23R	738325
13	ESTANTE	TODO	2PCS	096271	KCHUCGD23R	738325
14	REJILLAS PROTECTORAS DE CESTOS	TODO	1PC	0USDYD	KCHUCGD23R	738325
15	EVAPORADOR	TODO	1PC	096283	KCHUCGD23R	738325
17	PATAS	TODO	2PCS	096270	KCHUCGD23R	738325
19	CUERPO	TODO	1PC	N/A	KCHUCGD23R	738325
20	TAPÓN	TODO	1PC	0USH67	KCHUCGD23R	738325
21	TRANSFORMADOR PARA LÁMPARA LED	TODO	1PC	0USDST	KCHUCGD23R	738325
22	COMPRESOR	TODO	1PC	0USDMS	KCHUCGD23R	738325
22a	JUEGO DE COMPONENTES ELÉCTRICOS DEL COMPRESOR	TODO	1PC	0USE2H	KCHUCGD23R	738325
23	PLACA DE UNIÓN	TODO	1PC	096285	KCHUCGD23R	738325
23a	RUEDA	TODO	2PCS	0USDUW	KCHUCGD23R	738325
23b	EJE DE RUEDA	TODO	2PCS	0USDXX	KCHUCGD23R	738325
24	CONDENSADOR	TODO	1PC	096277	KCHUCGD23R	738325
25	SOPORTE DEL VENTILADOR DEL CONDENSADOR	TODO	1PC	0USDUR	KCHUCGD23R	738325
26	VENTILADOR DEL CONDENSADOR	TODO	1PC	0USF14	KCHUCGD23R	738325
27	REJILLAS DE SALA DE UNIDAD	TODO	1PC	0USDWG	KCHUCGD23R	738325
27a	Mando de ubicación	TODO	2PCS	0USH46	KCHUCGD23R	738325
28	CAJA DE AGUA	TODO	1PC	0USDUY	KCHUCGD23R	738325
30	VENTILADOR DE CIRCUITO	TODO	1PC	0USF14	KCHUCGD23R	738325
31	SOPORTE DEL VENTILADOR DEL CIRCUITO	TODO	1PC	0USE0P	KCHUCGD23R	738325
32	CAJA FIJA DE SENSOR	TODO	1PC	0USM11	KCHUCGD23R	738325
33	SENSOR JST	TODO	1PC	096248	KCHUCGD23R	738325
33b	SENSOR JST	TODO	1PC	096247	KCHUCGD23R	738325
34	TERMOSTATO	TODO	1PC	0USDET	KCHUCGD23R	738325
35	INTERRUPTOR DE LUZ	TODO	1PC	0USH45	KCHUCGD23R	738325
37	Interruptor de puerta	TODO	1PC	096253	KCHUCGD23R	738325
38	BISAGRA SUPERIOR	TODO	1PC	0USDB2	KCHUCGD23R	738325
39	CONECTOR DE CABLE	TODO	1PC	0USF09	KCHUCGD23R	738325
40	SOPORTE DEL VENTILADOR	TODO	1PC	096286	KCHUCGD23R	738325
41	SECADOR DE FILTROS	TODO	1PC	096259	KCHUCGD23R	738325
41a	CAPILAR	TODO	1PC	0USX01	KCHUCGD23R	738325